

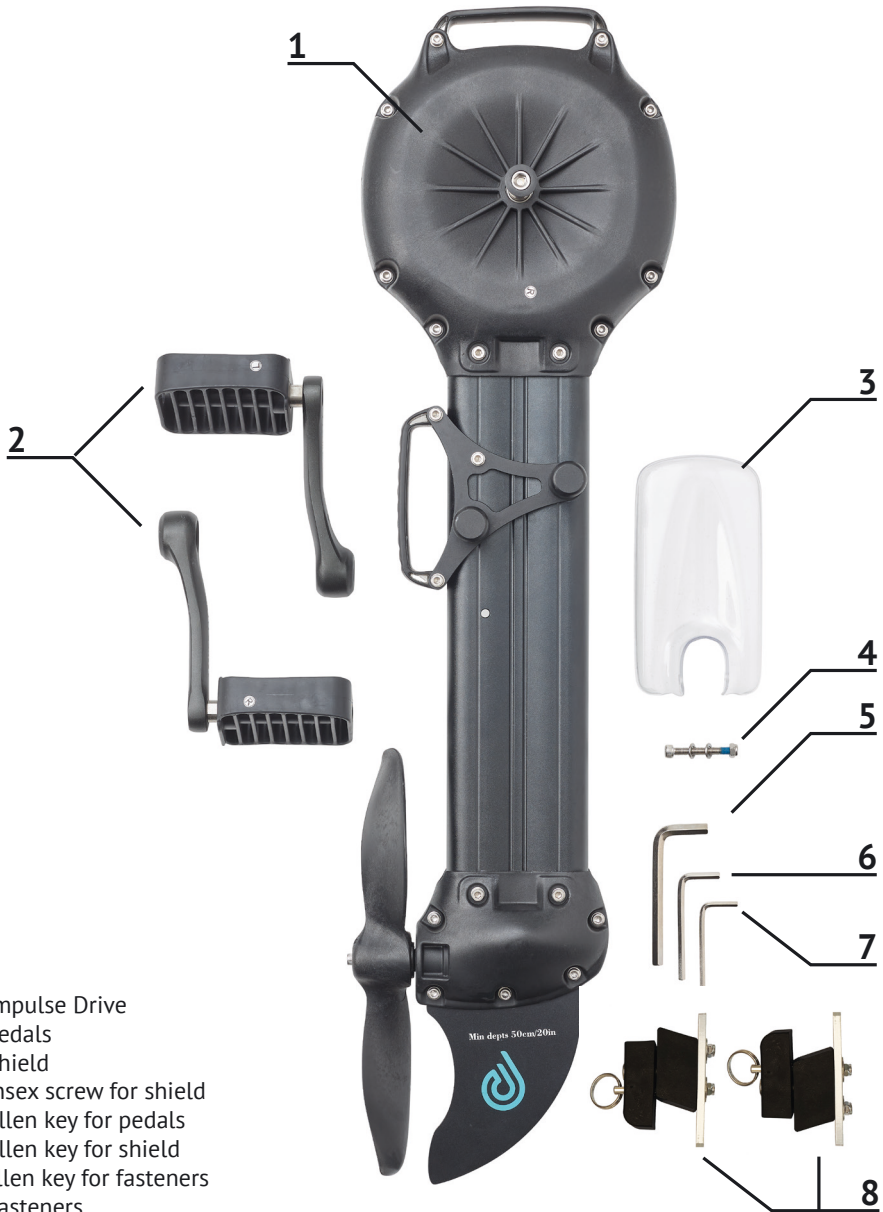
POINT 65°N

SWEDEN



IMPULSE DRIVE ASSEMBLY MANUAL

Parts in Impulse Drive box



1. Impulse Drive
2. Pedals
3. Shield
4. Inset screw for shield
5. Allen key for pedals
6. Allen key for shield
7. Allen key for fasteners
8. Fasteners

How to install the Impulse Drive



1. In addition to the Allen keys supplied with the Impulse Drive, you will need a phillips screw driver and a wrench.



2. Fasten the pedals to the drive using the large allen key. Fasten tightly.



3. Fit the clear shield onto the drive as shown above, and align the screw hole on the shield with the one on the drive.



4. Attach the shield to the drive using the screw, washer and nut and tighten it with an allen key.



5. Use the phillips screw driver to remove the drive-well plate in the KingFisher,



6. Unscrew the nuts and take off the washers from the Fasteners, these will not be needed.



7. Put the aluminium plate with the screw holes closer to the wall as shown above.



8. Screw in the 2 long screw into the inserts and screw tight, using the allen key.



9. Do the same on the other side of the well. If needed use the larger allen key to tighten the large middle screw on the fastener.



10. Make sure the fasteners are in same position as in image 8 before installing the drive. Move the propeller into vertical position and lower the drive into place.



11. Lock the fasteners as shown above over the lower cylinders of the Drive. To remove the drive, make sure the propeller is in vertical position before raising the drive out of the well.